



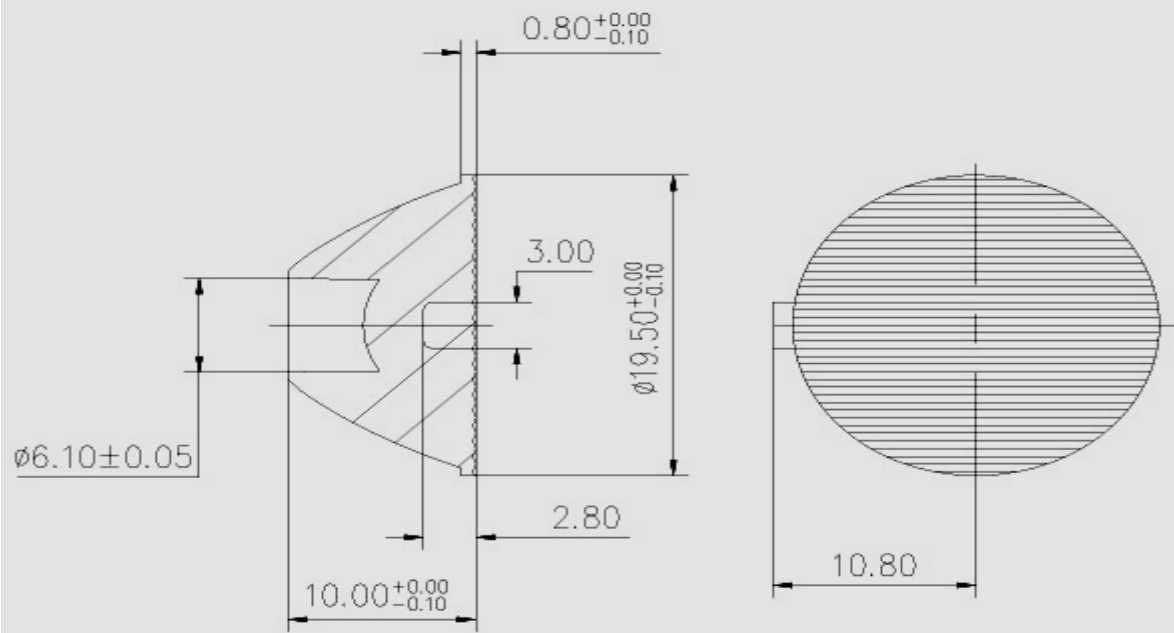
**Type: NSO-01EDA-1634LH-19.5x10**  
**Diameter:  $\Phi$ 19.5mm**  
**Height: 10mm**  
**Fov: 16°\*34°**  
**Material: Optical grade Acrylic plastic**  
**Up to 93% efficiency**  
**LED Series: 1LA5 (Edison)**

**Applications:**

Reading lights(car, bus, aircraft)  
Portable (flashlight, bicycle)  
Mini-accent/Decorative/Fiber Optics Alternative  
Undershelf / Task Lighting  
Indoor and Outdoor Commercial and Residential Architectural lighting

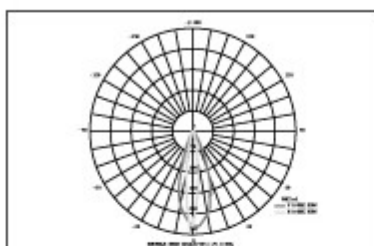
- Operating Temperature range  $-40^{\circ}\text{C} \sim +70^{\circ}\text{C}$  (upper limit  $+80^{\circ}\text{C}$ )
- Storage Temperature range  $-40^{\circ}\text{C} \sim +70^{\circ}\text{C}$  (upper limit  $+80^{\circ}\text{C}$ )
- Usage and Maintenance :
  1. If necessary, clean lenses with mild soap, water and soft cloth
  2. Never use any commercial cleaning solvents on lenses, like alcohol

## Lens dimensions and Top Views



# Light Distribution Curve

NAME:	TYPE: 灯具	WEIGHT: 1
DIMENSION: 1	SPECIFICATION: 10	SERIAL No.: 0
MANUFACTURER:	SURFACE: 1	PROTECTION ANGLE: 0



DATA OF LAMP		PHOTOMETRIC DATA	
MODEL	CREE-XPE	Imax (cd)	235.7
NOMINAL POWER (W)	1	AVAILABILITY (%)	62.4
RATED VOLTAGE (V)	3.36	Avai. FLUX (lm)	43.78
NOMINAL FLUX (lm)	70.200	EFFICIENCY (%)	88.9
LAMPS INSIDE	1	TOTAL FLUX (lm)	62.38
TEST VOLTAGE (V)	3.36	• @50% (H,V)	34.16DBS

		AREA FLUX DIAGRAM																		UNIT: lm				
																				- t -	- a			
90		0.00	0.01	0.01	0.02	0.02	0.02	0.02	0.02	0.02	0.02	0.02	0.02	0.02	0.02	0.02	0.02	0.02	0.01	0.01	0.00	0.30	0.00	
80		0.00	0.01	0.01	0.02	0.02	0.03	0.03	0.03	0.03	0.03	0.03	0.03	0.02	0.02	0.01	0.01	0.00	0.00	0.01	0.00	0.39	0.00	
70		0.00	0.01	0.02	0.02	0.03	0.04	0.04	0.04	0.04	0.04	0.04	0.04	0.03	0.02	0.02	0.01	0.00	0.00	0.01	0.00	0.49	0.00	
60		0.00	0.01	0.02	0.03	0.04	0.04	0.05	0.05	0.05	0.05	0.05	0.04	0.04	0.03	0.02	0.01	0.00	0.00	0.01	0.00	0.59	0.00	
50		0.00	0.01	0.02	0.03	0.04	0.05	0.07	0.09	0.10	0.10	0.09	0.07	0.06	0.04	0.03	0.02	0.01	0.00	0.00	0.01	0.00	0.83	0.00
40		0.00	0.01	0.02	0.03	0.05	0.07	0.11	0.14	0.16	0.16	0.15	0.11	0.08	0.06	0.04	0.02	0.01	0.00	0.00	0.01	0.00	1.24	0.00
30		0.00	0.01	0.02	0.04	0.06	0.11	0.18	0.27	0.32	0.35	0.31	0.22	0.14	0.08	0.04	0.03	0.01	0.00	0.00	0.01	0.00	2.19	0.00
20		0.00	0.01	0.02	0.04	0.07	0.16	0.40	0.78	1.09	1.23	1.01	0.61	0.25	0.10	0.05	0.03	0.01	0.00	0.00	0.01	0.00	5.90	3.83
10		0.00	0.01	0.02	0.04	0.09	0.24	0.86	2.59	4.12	4.46	3.39	1.45	0.41	0.13	0.06	0.03	0.01	0.00	0.00	0.01	0.00	17.9	16.8
0		0.00	0.01	0.02	0.04	0.09	0.24	0.88	2.77	4.84	4.99	3.42	1.44	0.42	0.13	0.06	0.03	0.01	0.00	0.00	0.01	0.00	19.4	18.3
-10		0.00	0.01	0.02	0.04	0.07	0.17	0.43	0.93	1.48	1.46	1.01	0.61	0.26	0.10	0.05	0.03	0.01	0.00	0.00	0.01	0.00	6.70	4.88
-20		0.00	0.01	0.02	0.04	0.06	0.10	0.19	0.32	0.41	0.41	0.33	0.23	0.14	0.08	0.04	0.03	0.01	0.00	0.00	0.01	0.00	2.43	0.00
-30		0.00	0.01	0.02	0.03	0.05	0.07	0.10	0.14	0.17	0.17	0.16	0.12	0.08	0.06	0.04	0.03	0.01	0.00	0.00	0.01	0.00	1.27	0.00
-40		0.00	0.01	0.02	0.03	0.04	0.05	0.07	0.09	0.11	0.11	0.10	0.08	0.06	0.05	0.03	0.02	0.01	0.00	0.00	0.01	0.00	0.90	0.00
-50		0.00	0.01	0.02	0.02	0.03	0.04	0.05	0.06	0.06	0.06	0.06	0.05	0.05	0.04	0.03	0.02	0.01	0.00	0.00	0.01	0.00	0.63	0.00
-60		0.00	0.01	0.01	0.02	0.03	0.03	0.04	0.04	0.04	0.05	0.05	0.04	0.04	0.03	0.02	0.02	0.01	0.00	0.00	0.01	0.00	0.50	0.00
-70		0.00	0.01	0.01	0.02	0.02	0.03	0.03	0.03	0.03	0.03	0.03	0.03	0.03	0.03	0.02	0.01	0.01	0.00	0.00	0.01	0.00	0.39	0.00
-80		0.00	0.01	0.01	0.02	0.02	0.02	0.02	0.02	0.02	0.02	0.02	0.02	0.02	0.02	0.02	0.01	0.01	0.00	0.00	0.01	0.00	0.29	0.00
-90		0.00	0.01	0.01	0.02	0.02	0.02	0.02	0.02	0.02	0.02	0.02	0.02	0.02	0.02	0.02	0.01	0.01	0.00	0.00	0.01	0.00	0.29	0.00
-90	-80	-70	-60	-50	-40	-30	-20	HORIZONTAL (DEG)	20	30	40	50	60	70	80	90								
- t	0.06	0.18	0.33	0.53	0.84	1.53	3.58	8.44	13.1	13.8	10.3	5.24	2.16	1.05	0.62	0.39	0.20	0.06	0.00	0.00	0.00	0.00	0.00	---
- a	0.00	0.00	0.00	0.00	0.00	0.00	1.54	6.66	11.4	12.0	8.49	3.49	0.19	0.00	0.00	0.00	0.00	0.00	0.00	0.00	0.00	0.00	0.00	---

H( ) Range: -90 - 90DEG  
 H( ) Interval: 0.5DEG  
 Test Speed: HIGH  
 Temperature: 25.3DEG  
 Operators:  
 Test Date: 2009-10-13

V(B) Range: -90 - 90DEG  
 V(B) Interval: 0.5DEG  
 Test System: EVERFINE GO-SPEC316 SYSTEM V1.0.254  
 Humidity: 65.0%  
 Test Distance: 3.160m [K=1.0000]  
 Remarks: