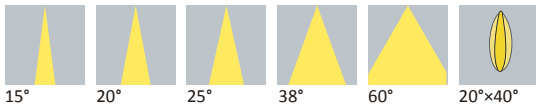




Datasheet

DRT Series

Available Distribution



Dimensions

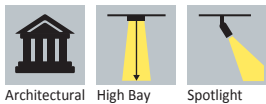
Part Number	Diameter	Height
LL01ZZ-DRTxxL06-Mx	Ø10.24	7
LL01AK-DRTxxL06-M1	Ø10	7.5
LL01ACF-DRTxxL06-Mx	Ø10.24	7

*All dimensions are in millimeters.

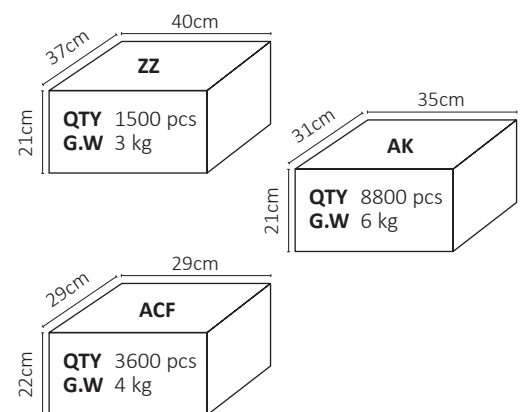
LED



Recommend Applications



Packaging Details (SPQ)



General Information



- Lens Material PMMA 8N
- Operating Temperature -40°C~+70°C
- UL Flammability HB @1.5mm
- UL RTI Elec 90°C @1.5mm
- Light Transmission Rate 400nm~900nm > 90%
- ☑ If necessary, Clean lenses with mild soap, water and soft cloth.
- ⚠ Never use any commercial cleaning solvents on lenses, like alcohol.
- ⚠ Please handle or install lenses with wearing gloves, skin oils may damage lens or its optical characteristic.

Accessories

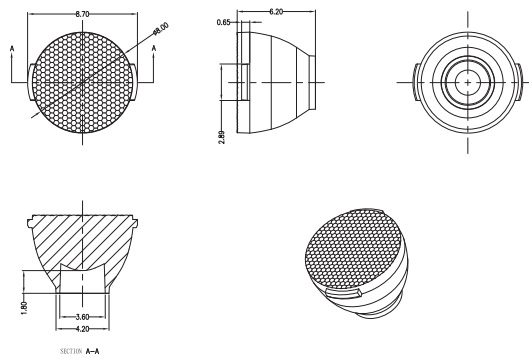


- 3 Different Types of Holder
LL01ALZS10Hx
LL01AKAAT10H1
LL01ACFS10Hx

Mechanical Specification

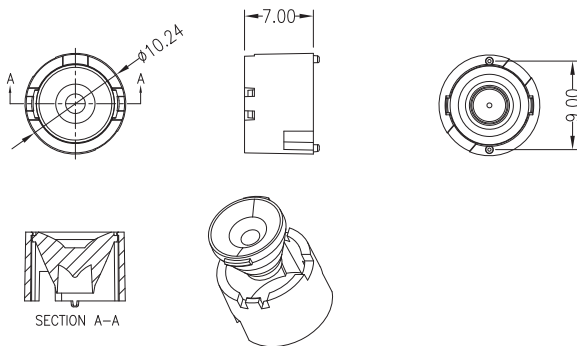
*All dimensions are in millimeters.

Lens Dimension



Holder Dimension

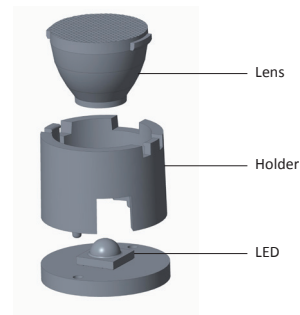
LL01ALZS10Hx



Assembly Instruction

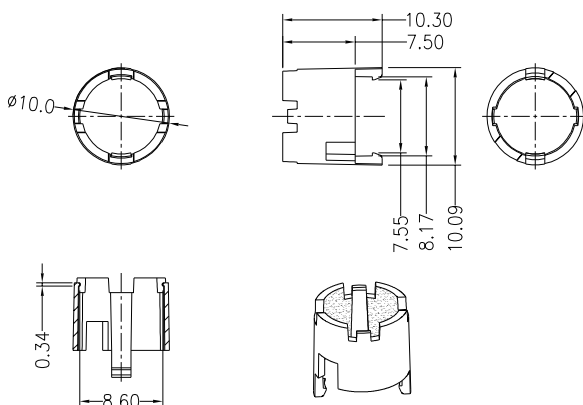
Part No LL01ZZ-DRTxxL06-Mx
Holder LL01ALZS10Hx

Fixing Method



Holder Dimension

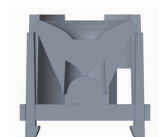
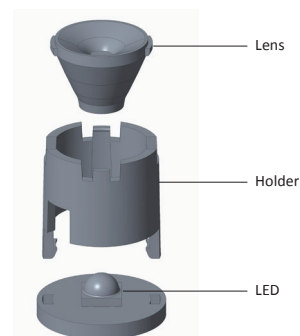
LL01AKAAT10H1



Assembly Instruction

Part No LL01AK-DRTxxL06-M1
Holder LL01AKAAT10H1

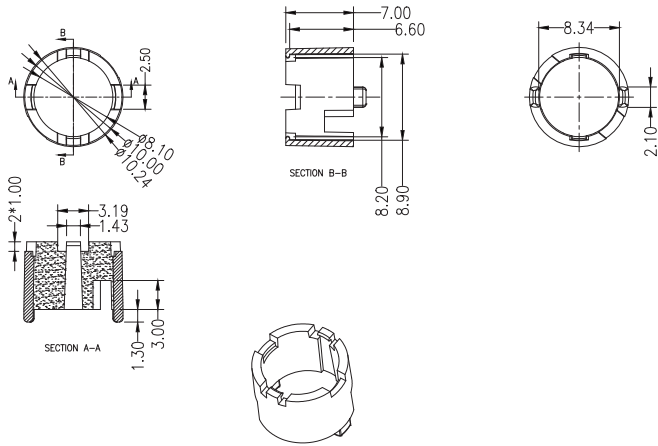
Fixing Method



Holder Dimension



LL01ACFS10Hx



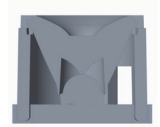
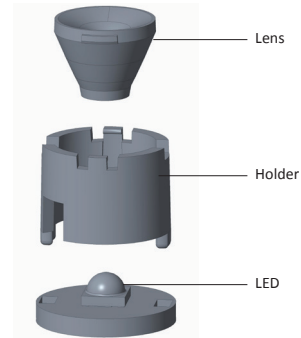
Assembly Instruction

Fixing Method

Part No LL01ACF-DRTxxL06-Mx
Holder LL01ACFS10Hx



Luminarie
Accessories



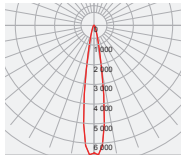
Photometric Distribution



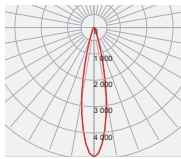
CREE
XPE2

LED

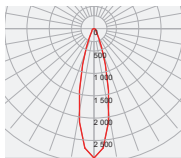
15°



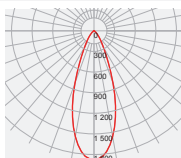
20°



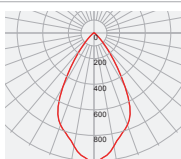
25°



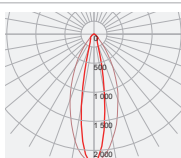
38°



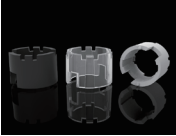



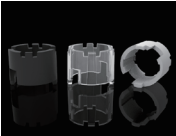

60°






















20°x40°



Details by LED

Part No	Holder	LED Package Size	LED
LL01ZZ-DRTxxL06-Mx	 LL01ALZS10Hx	3535	 CREE XPE2
LL01AK-DRTxxL06-M1	 LL01AKAAT10H1	3535	 CREE XPE2
LL01ACF-DRTxxL06-Mx	 LL01ACFS10Hx	3535	 CREE XPE2

LED	Part No	FWHM	cd / lm	IES
	LL01ZZ-DRT15L06-M1	16°	6.5	
	LL01ZZ-DRT20L06-M1	21°	4.9	
	LL01ZZ-DRT25L06-M1	26°	2.8	
	LL01ZZ-DRT38L06-M1	36°	1.8	
	LL01ZZ-DRT60L06-M1	59°	1.0	
	LL01ZZ-DRT2040L06-M1	20°x43°	2.2	
	LL01AK-DRT15L06-M1	16°	6.5	
	LL01AK-DRT20L06-M1	21°	4.9	
	LL01AK-DRT25L06-M1	26°	2.8	
	LL01AK-DRT38L06-M1	36°	1.8	
	LL01AK-DRT60L06-M1	59°	1.0	
	LL01AK-DRT2040L06-M1	20°x43°	2.2	
	LL01ACF-DRT15L06-M1	16°	6.5	
	LL01ACF-DRT20L06-M1	21°	4.9	
	LL01ACF-DRT25L06-M1	26°	2.8	
	LL01ACF-DRT38L06-M1	36°	1.8	
	LL01ACF-DRT60L06-M1	59°	1.0	
	LL01ACF-DRT2040L06-M1	20°x43°	2.2	

Product Nomenclature



Ledlink Optics, Inc

Taiwan HQ

15F, No.655, Bannan Rd., Chung-Ho Dist.,
New Taipei City, Taiwan 235

Ledlink Optics (Dongguan) Co., Ltd

Dongguan Factory

No.5, TianKeng Industrial Dist., HengLiTown, DongGuan City,
GuangDong Province, China 523478

Ledlink Optics (Yangzhou) Co., Ltd

Yangzhou Factory

No.180, LinJiang Rd., YangZhou City, Jiangsu Province, China 225009

www.ledlink-optics.com

service@ledlink-optics.com

