

Product Specification

Product Class: LED Cover

Item No: **DK-S30-GSZ**

Material: PC

Certification: RoHS


Set up: Xuan Yang

Check: Xiaohui Liang

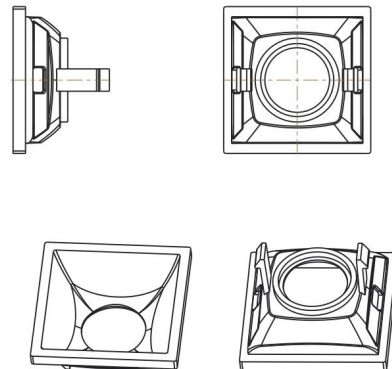
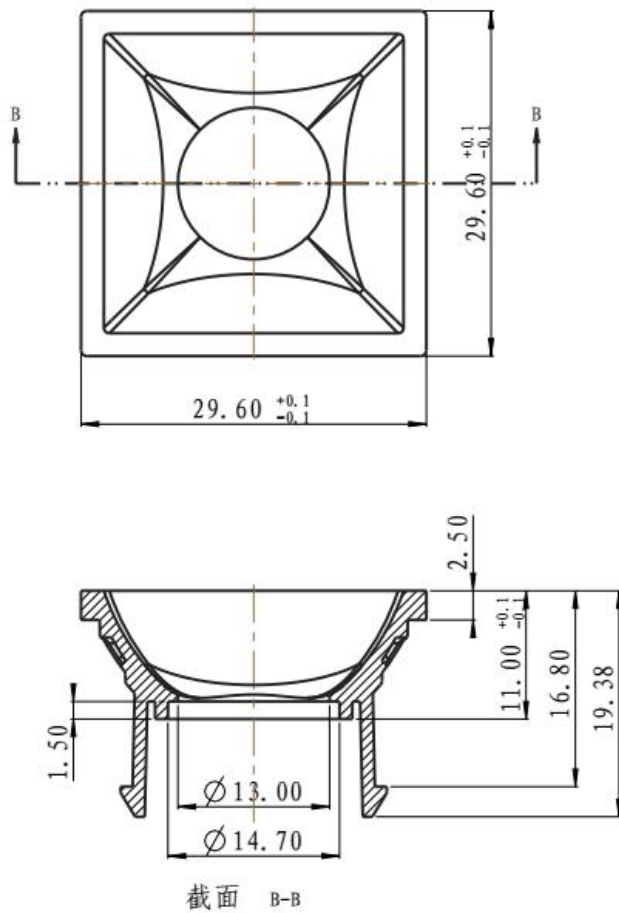
Content

Specification-----	3
2D Drawing-----	4
Packing-----	5
Application Notes-----	6

Specification

Item No	Picture	Size	Matched LED	Lighting Application
DK-S30-GSZ		Diameter: 29.6mm Height: 19.38mm	3535	Spotlight

Drawing



Packing

Material	Size	Packing Instruction
White paper	White paper	XXPCS/1 Box 4 Box/1 Carton
EPE	EPE(315*240)mm	
White Paperboard	A 级 (400g) 310*230/mm	
Box	320*245*115/mm	
Carton	A=B 505*330*255/mm	



Application Notes

- (1) Please use a little water and soft fabric (air-laid paper) to clean the product if necessary.
- (2) Forbid to use industrial solvent to clean the product, such as alcohol.
- (3) The working temperature is $-35^{\circ}\text{C}\sim+120^{\circ}\text{C}$.
- (4) Storage environment temperature is $0^{\circ}\text{C}\sim40^{\circ}\text{C}$, humidity is 30%~95%.
- (5) The product has the function to change the ray of light, it is made of optical material, the effect shall be influenced once pollute. Please do not open the packing before use it, to avoid the dust pollution.
- (6) Protect the product from the sun and other ultraviolet ray, as these will lead to aging, change color, crack, etc.
- (7) Please wear gloves once install the product, avoid to abrasion the product surface.
- (8) Forbid to use acidic or alkaline solution touch the product, avoid to generate the chemical reactions.