

Product Specification

Product Class: LED LENS

Item No:DK-5050-130X73-TUNNEL-4H1

Material: PC(UV)

Certification: RoHS

Sut Up:PeiShan Wu

Check:XiaoHuiLiang

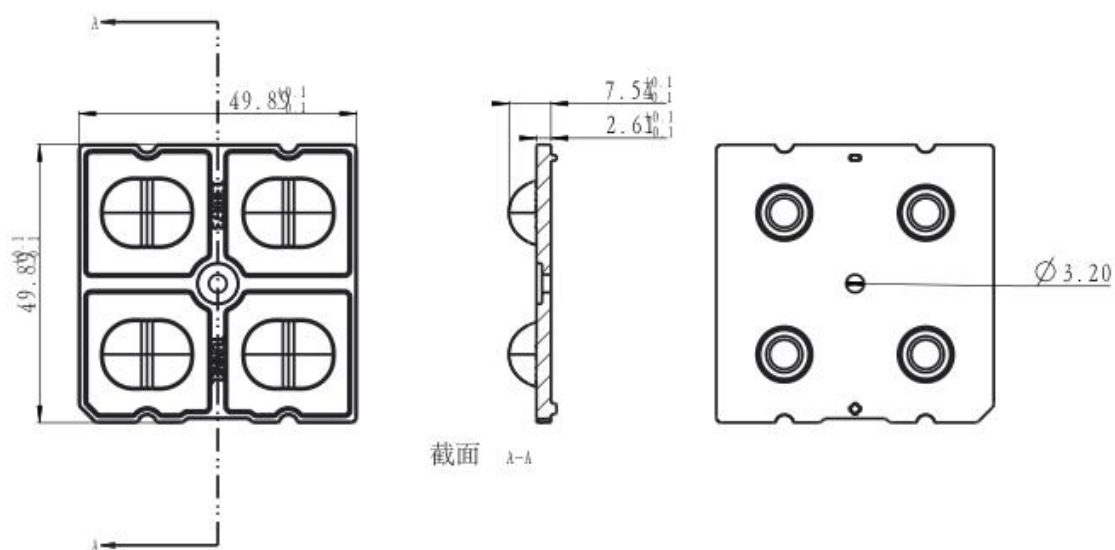
Content

Specification-----	3
2D Drawing-----	4
Optical Datasheet-----	5
Packing-----	6
Application Notes-----	7

Specification

Item No	Picture	Size	Matched LED	Lighting Application
DK-5050-130X73-TUNNEL-4H1		diamete:49.89*49.89MM height:7.5MM FWHM:130X73°	3535	Street Lamp

Drawing



Optical Test Report

产品特征

灯具制造厂商:
光源型号: 3535
电流: 0.408 A
功率因数: 1.000

电压: 12.0 V
功率: 4.89 W

光度结果

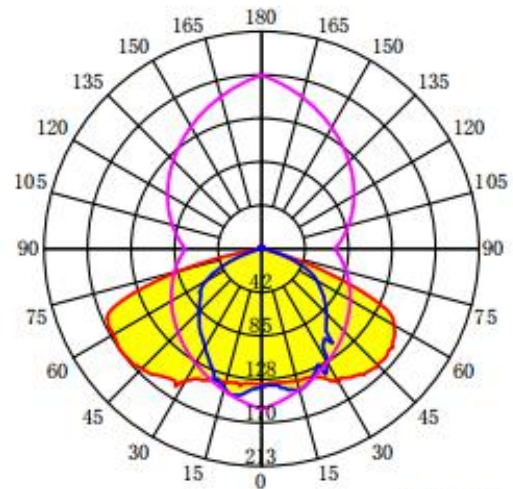
灯具CIE分类: 直接型
灯具光通量: 547.9 lm
下射光通量比: 97%
水平扩散角(10%, 50%, 75%, 100%): H154.8, H143.8, H136.9, H99
垂直扩散角(10%, 50%, 75%, 100%): V148, V110.6, V68.5, V26
灯具光效等级(LER): 112.10
峰值光强: 170.84 cd
S/MH(C0/C180): 1.81

额定光通量: 547.9 lm
灯具效率: 100%
上射光通量比: 3%
中心光强: 132.85 cd
峰值光强位置: H180 V55
S/MH(C90/C270): 1.24

灯具实物照片



配光曲线

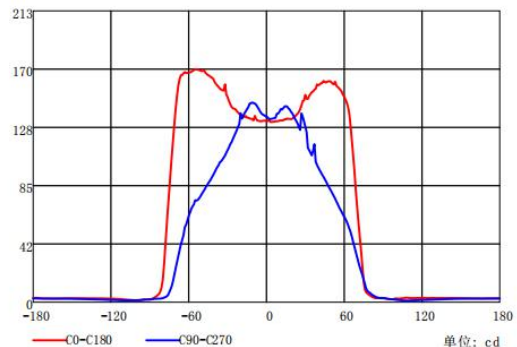
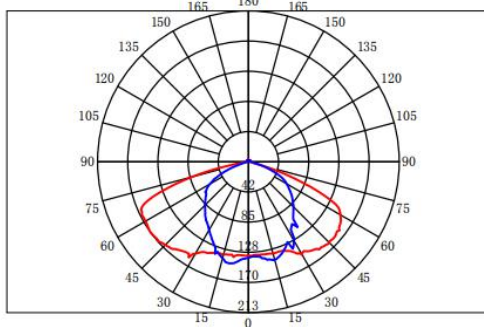


单位: cd

平均光束角(50%): 126.7°

— C0-C180 — C90-C270 — G55

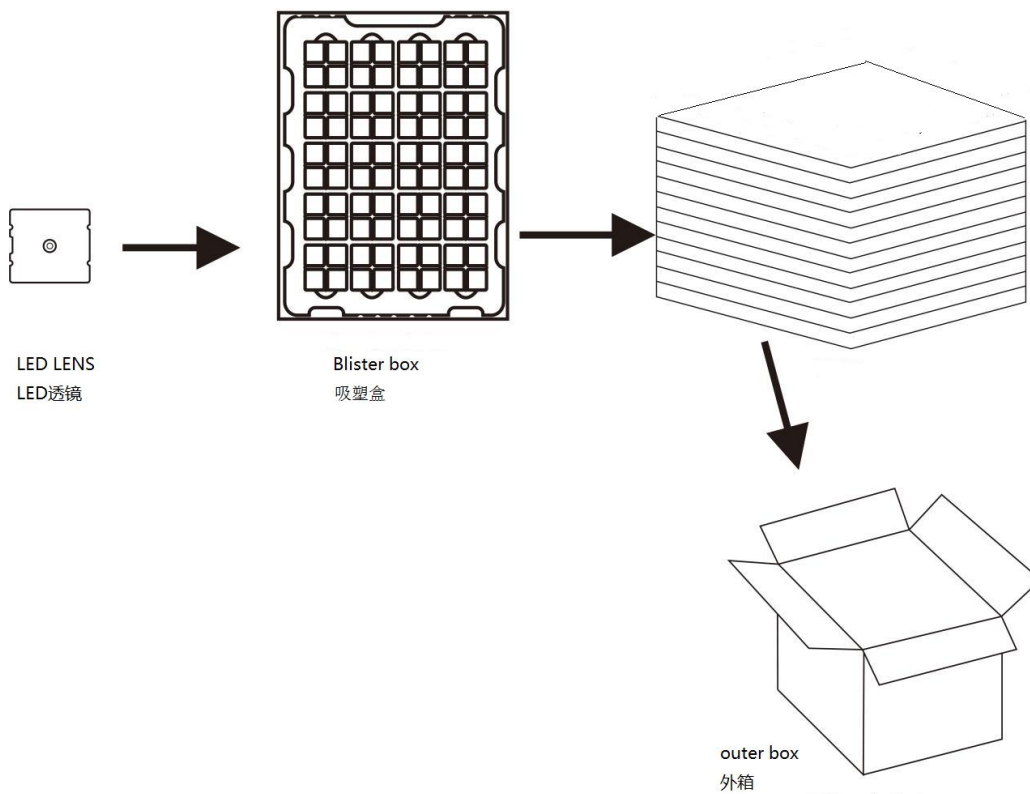
配光曲线



单位: cd

Packing

Material	Size	Total
Antistatic blister box	4W	20PCS a layer or deck
Box	335*245*105/mm	xxPCS/ Box
Outer Box	510*330*255/mm	xxpcs/ Outer Box



Application Notes

(1) Please use a little water and soft fabric (air-laid paper) to clean the lens & reflector if necessary.

(2) Forbid to use industrial solvent to clean the lens, such as alcohol.

(3) The working temperature is $-40^{\circ}\text{C}\sim+80^{\circ}\text{C}$.

(4) Storage environment temperature is $0^{\circ}\text{C}\sim40^{\circ}\text{C}$, humidity is 30%~95%。

Optic Lens has the function to change the ray of light, it is made of optical material, the effect shall be influenced once pollute. Please do not open the packing before use it, to avoid the dust pollution.

(5) Protect the product from the sun and other ultraviolet ray, as these will lead to aging, change color, crack, etc.

(6) Please wear gloves once install the lens, avoid to abrasion the lens surface.

(7) Forbid to use acidic or alkaline solution touch the product, avoid to generate the chemical reactions.