

## Product Specification

Product Class: LED LENS

Item No: **DK-236X70-151X81-TPII-S-72H1-H**


Material: PC(UV)

Certification: RoHS

## Content

Specification-----	3
2D Drawing-----	4
Optical Datasheet-----	5
Packing-----	6
Application Notes-----	7

## Specification

Item No	Picture	Size	Matched LED	Lighting Application
DK-236X70-151X81-TPII-S-72H1-H		Diameter: 236*70mm  Height:13.5mm  FWHM:151X81°	3030  2835	Streetlight



## Optical Test Report

### 产品特征

灯具制造厂商:	光源个数: 1
光源型号: 3030	发光面长度(mm): 0 mm
光源光通量: 2485.2 lm	发光面高度(mm): 0 mm
发光面宽度(mm): 0 mm	电流: 0.351 A
电压: 33.0 V	功率因数: 1.000
功率: 11.56 W	

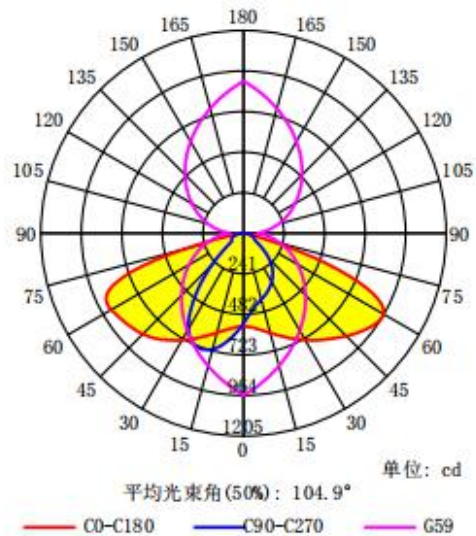
### 光度结果

灯具CIE分类: 直接型	额定光通量: 2485.2 lm
灯具光通量: 2419.8 lm	灯具效率: 97.37%
下射光通量比: 97.34%	上射光通量比: 0.02%
水平扩散角(25%, 50%, 75%, 100%): H149.8, H144.6, H138.6, H121	
垂直扩散角(25%, 50%, 75%, 100%): V100.7, V81.1, V51.3, V21	
灯具光效等级(LER): 209.38	中心光强: 554.22 cd
峰值光强: 964.73 cd	峰值光强位置: HD V59
S/MH(C0/C180): 2.14	S/MH(C90/C270): 1.30

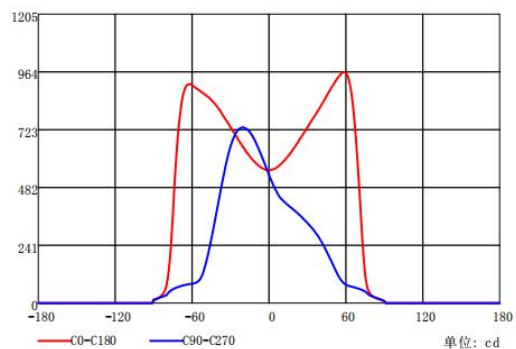
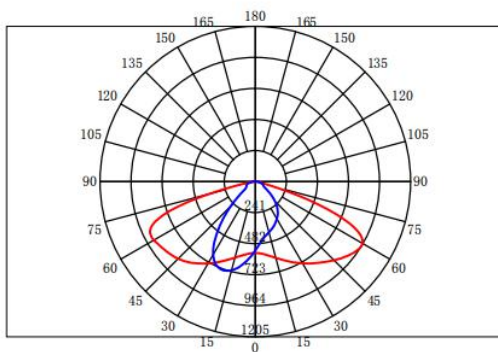
灯具实物照片



配光曲线



配光曲线



## Packing

Material	Size	Packing Instruction
EPE	315*230mm	56PCS/1 Box 4 Box/1 Carton
Plastic bag	125*340mm	
White Paperboard	A level; 400g; 310*235mm	
Box	335*245*105mm	
Carton	A=B 510*330*255mm	

## Application Notes

- (1) Please use a little water and soft fabric (air-laid paper) to clean the product if necessary.
- (2) Forbid to use industrial solvent to clean the product, such as alcohol.
- (3) The working temperature is  $-35^{\circ}\text{C}\sim+120^{\circ}\text{C}$ .
- (4) Storage environment temperature is  $0^{\circ}\text{C}\sim40^{\circ}\text{C}$ , humidity is 30%~95%.
- (5) The product has the function to change the ray of light, it is made of optical material, the effect shall be influenced once pollute. Please do not open the packing before use it, to avoid the dust pollution.
- (6) Protect the product from the sun and other ultraviolet ray, as these will lead to aging, change color, crack, etc.
- (7) Please wear gloves once install the product, avoid to abrasion the product surface.
- (8) Forbid to use acidic or alkaline solution touch the product, avoid to generate the chemical reactions.