

High power glass LED Lens

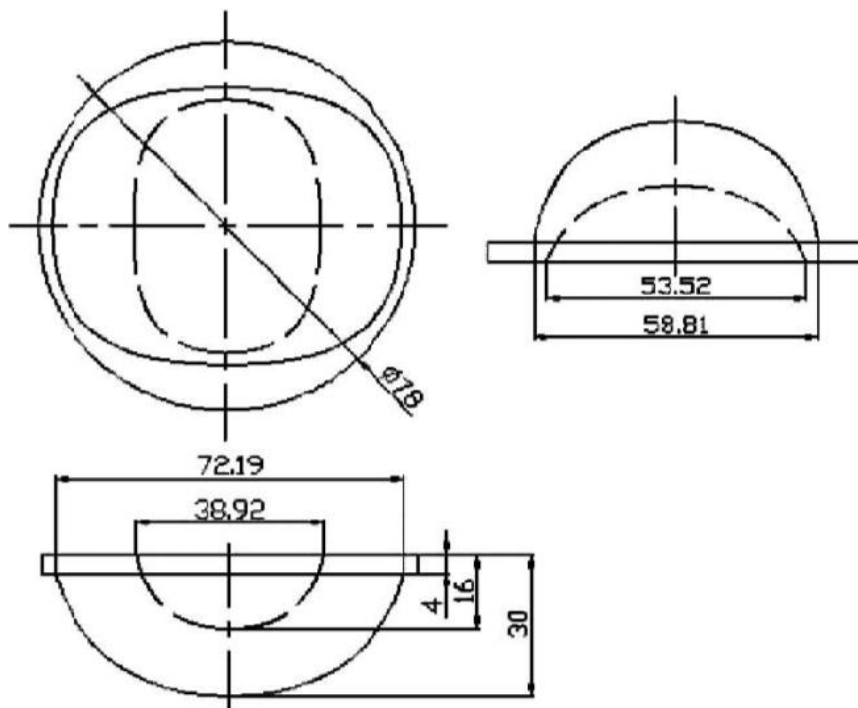
Street lamp series

NSO-COB-60120L-78x30

- 1) Material: optical glass (high borosilicate)
- 2) Light transmittance: above 93%
- 3) Refractive index: 1.474
- 4) Special application: street light, outdoor lighting etc.
- 5) Power: 10-60W
- 6) View angle: 60 * 120 Degree
- 7) Heat resistant: 500 centigrade
- 8) Supplied with fixtures



SIZE FOR REFERENCE:



LIGHT DISTRIBUTION CURVE: